



MK-DLT - Integrated Delta 3 Robotic Cartoner



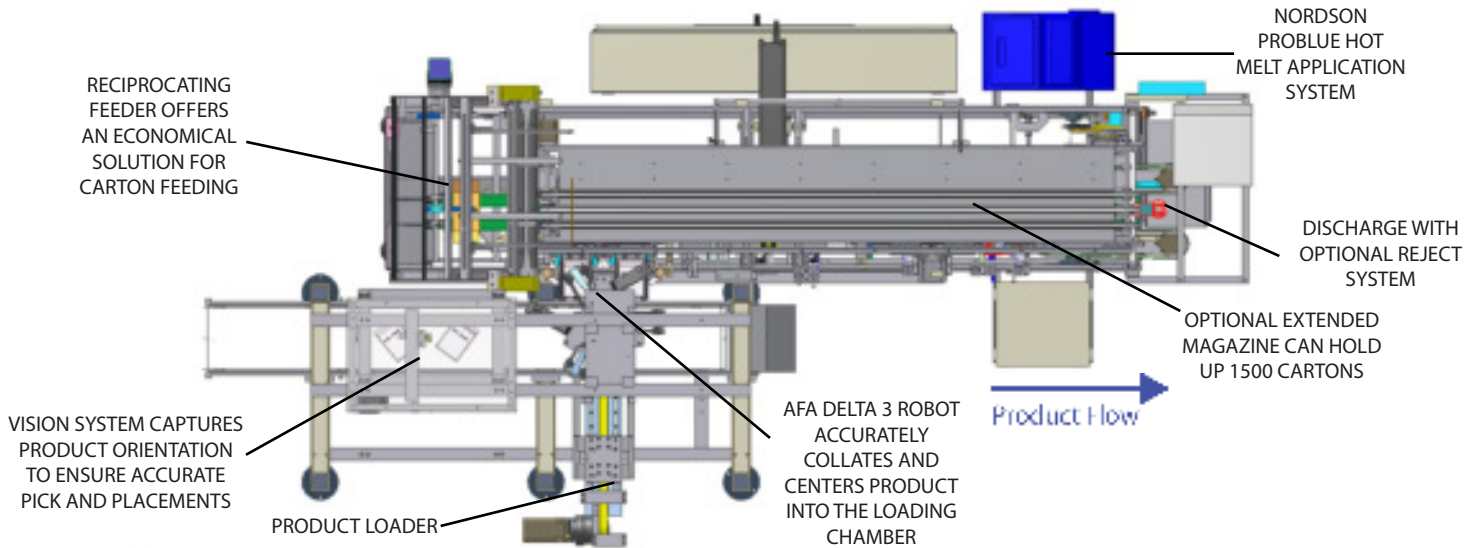
The MK-DLT utilizes a Delta 3 robot that is designed and manufactured by AFA Systems. The robot is mounted above the cartoner to provide accurate collation of product off either an indexing or continuous moving conveyor. The key innovation behind the MK-DLT is that the Delta 3 robot and the cartoner are controlled by an Allen Bradley platform. Traditional integrated Delta 3 Robotic Cartoners will typically employ two control systems: one for the cartoner and one for the Delta 3 Robot. This means that operators have to be familiar with two control systems which increases training and maintenance cost. With the MK-DLT, one integrated platform is used to control both the cartoner and the Delta 3 robot.

Features

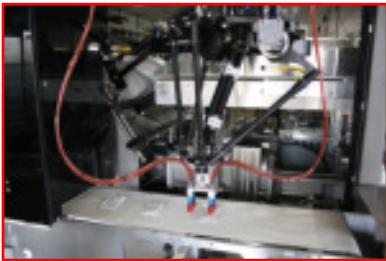
- » Available for clean room applications in the pharmaceutical industry
- » Stainless option available for food related applications
- » Integrated vision system
- » Capacity up to 3kg payload
- » Up to 300 pick and places per minute depending on the product application
- » Single controller for robot, vision and machine control
- » Allen Bradley controls and servos are standard on the MK-DLT



Typical Floor Plan



Key Components



Fast and accurate pick and places are realized with the MK-DLT pick and place system. 300 pick and places per minute are achievable.



Vision System is standard on the MK-DLT pick and place system. This ensures that products do not need to come uniformly to the Delta 3 robot.

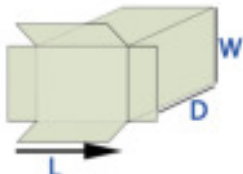


All Allen Bradley servo motors to ensure smooth and quiet operation. Also, accurate feedback diagnostics are available with this feature.

Specifications

Standard (Special)	L	W	D
Size Ranges (Inches)	min. .5	.5	5 (2.5)
	max. 14	6	14 (20)

* If size outside carton size range please check with AFA Representative



Process

